

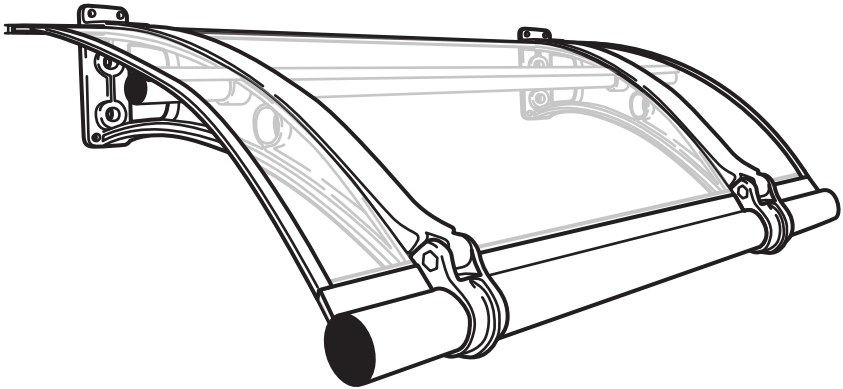
KOREA HOT FIX CO. & CANOFIX CO.,LTD

# CANOFIX<sup>®</sup>

BUILD IT YOUR WAY.

*Eco Friendly Canopy / Awning Professional*

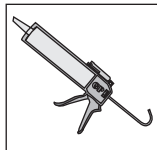
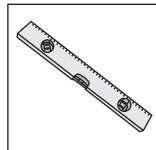
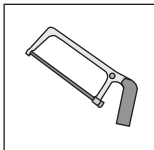
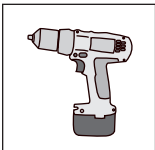
## Installation Manual



Thank you for purchasing CANOFIX. Please give us a call or email if you have any questions regards to installation.

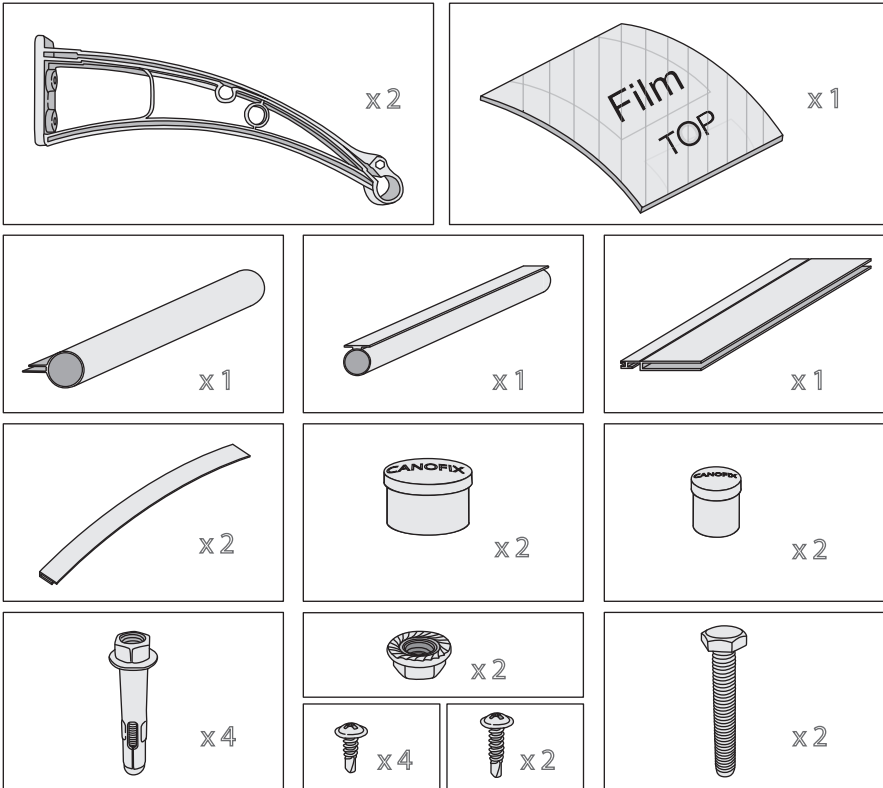
☎ +82-31-977-0888  
✉ khf6985@yahoo.co.kr

### \*Required Tools

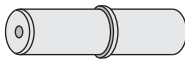


# Assembly Contents

\*Note : You will receive extra parts if you ordered over 40" model



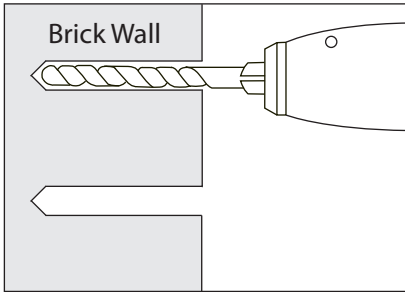
\*Extensions are included only over 48" models



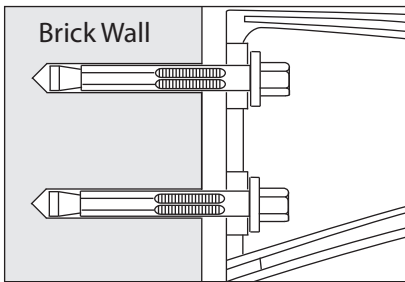
## Attention:

You are solely responsible for determining whether the handling, storage, assembly, installation or use of this product is safe and appropriate in any location or for any given application. Canofix Canada Inc. is not responsible for any damages or injury to you, any other person or any property resulting from the improper handling, storage, installation, assembly or use of this product, or the failure to follow Canofix Canada Inc. written instructions regarding the handling, storage, installation, assembly and use of this product. This product is intended for normal residential use only. Do not use this product for any application that is not recommended in these instructions or building codes in effect in location where this product will be used. Always take care and use appropriate safety equipment (including eye protection) when assembling or installing this product.

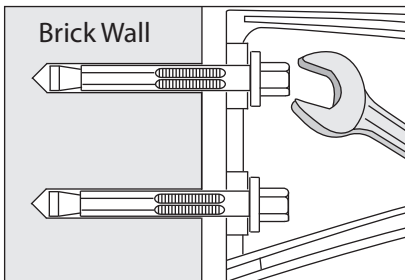
## How to use Anchor Bolt



1. Use a bit whose diameter equals the anchor diameter.  
Determine proper size bit for anchor used.  
Drill hole to any depth exceeding minimum embedment. Clean hole.



2. Insert assembled anchor into hole, so that washer or head is flush with materials to be fastened. \*DO NOT unscrew the head. Insert it as is. If it is stiff, use rubber hammer to insert.



3. Expand anchor by tightening nut or head 2 to 3 turns.

# 1 Anchor the Brackets



Use anchor bolt on brick wall.  
Or use wood screw (not included) to anchor on wooden wall.

Recommended  
1~3 inch space

Total width of Canofix

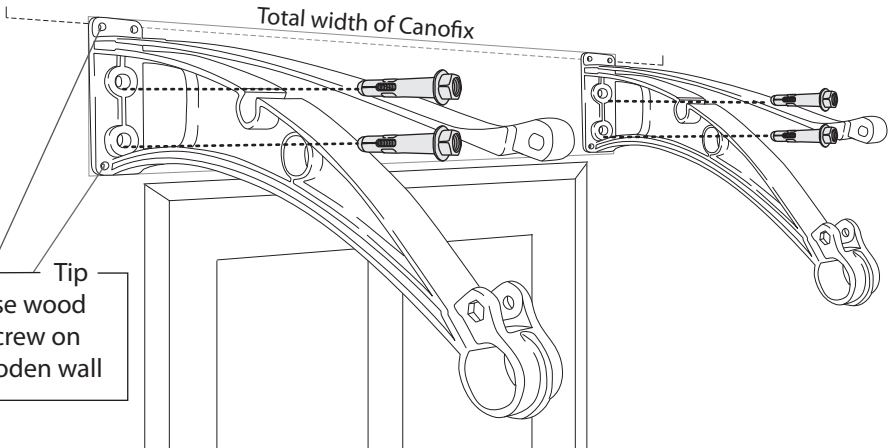
Tip  
Use leveler to  
align brackets



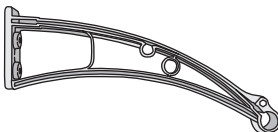
Follow the instruction on page 02, how to use anchor bolt

Total width of Canofix

Tip  
Use wood  
screw on  
wooden wall



Use the following

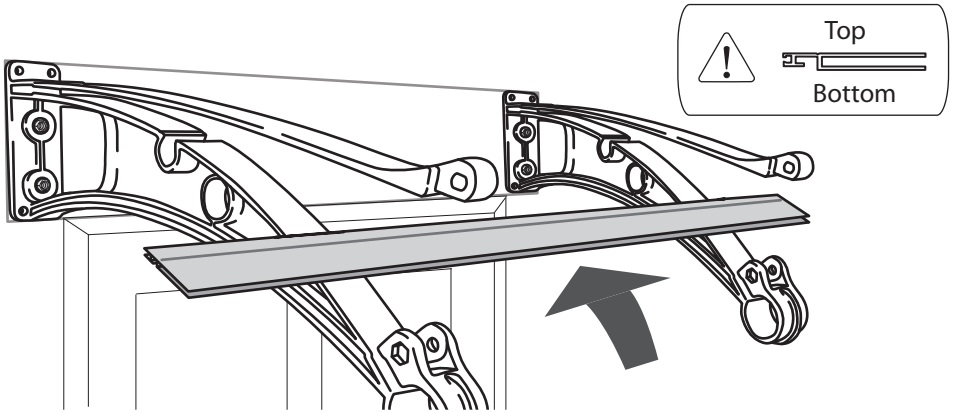


x 2

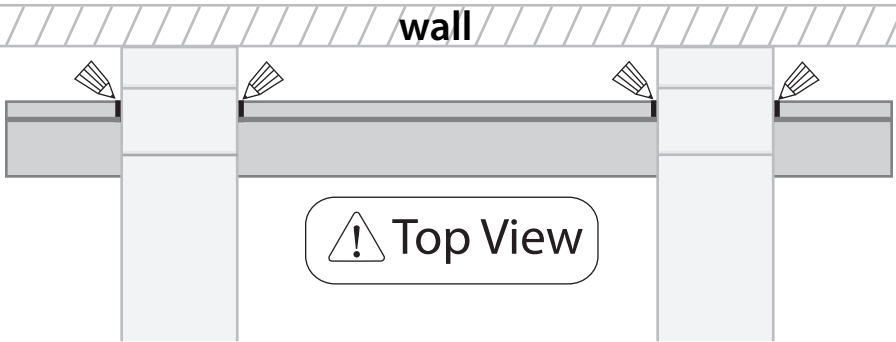


x 4

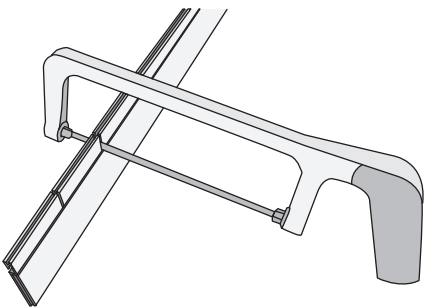
2 Insert the base clip frame fully



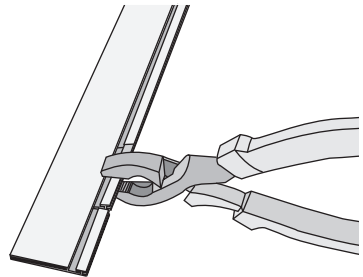
3 Mark the base clip frame to cut with pen



4 Cut the mark with saw



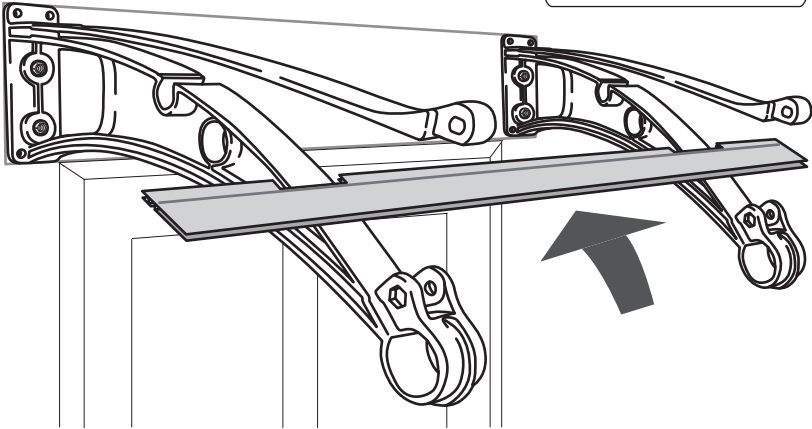
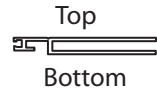
5 Break the part between marks



6 Insert the base clip frame fully



Insert fully against the wall



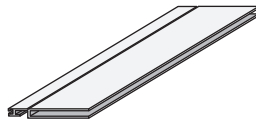
Insert fully against the wall

wall

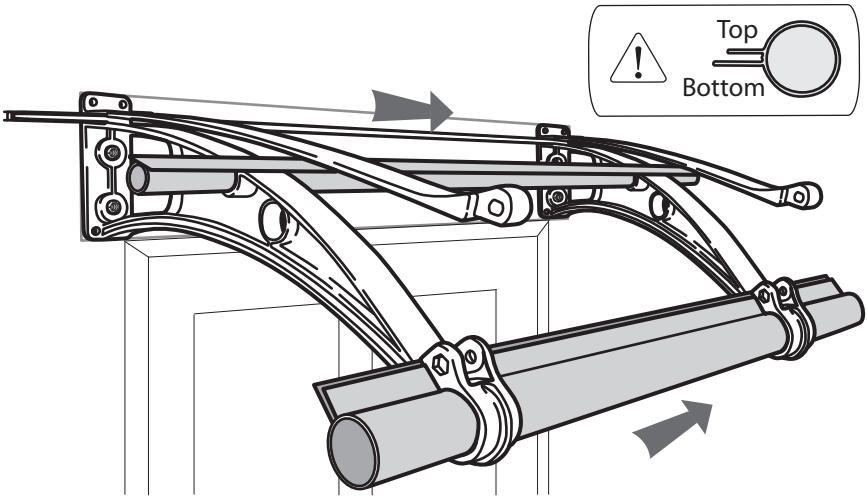


Top View

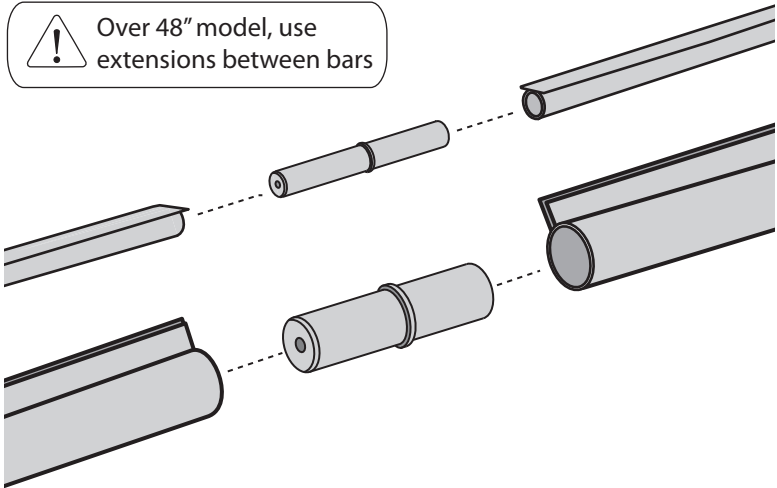
Use the following



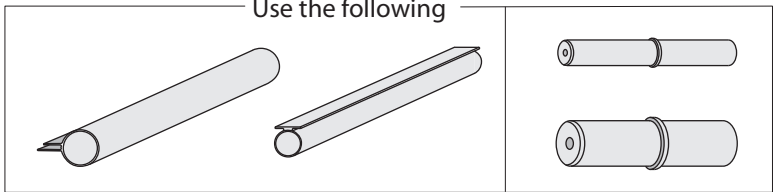
7 Insert two structure bars



Over 48" model, use extensions between bars



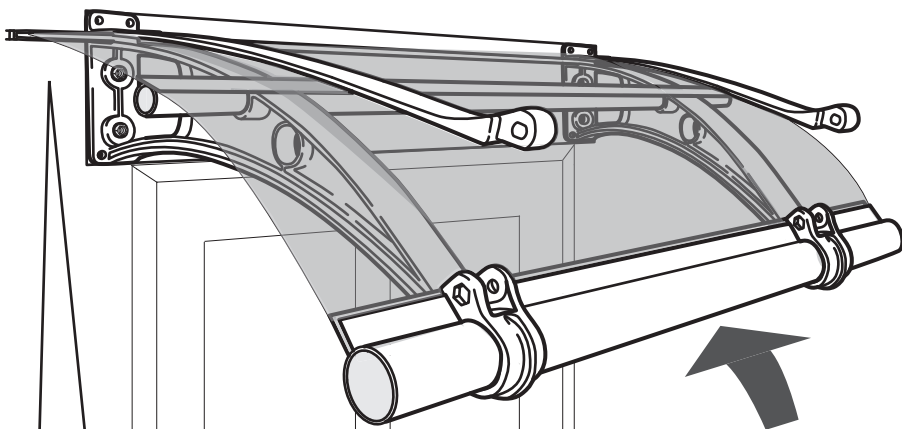
Use the following



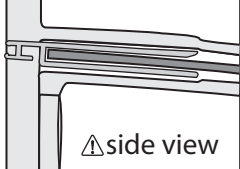
8 Insert the Polycarbonate sheet



**Remove** the film on Polycarbonate sheet before insert

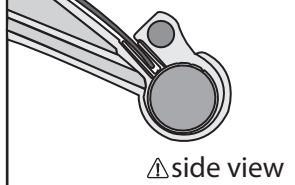


**STEP 1**



△side view

**STEP 2**

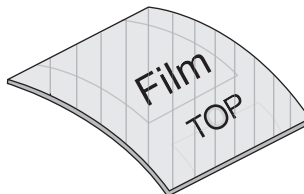


△side view



**Remove** the film on Polycarbonate sheet before insert

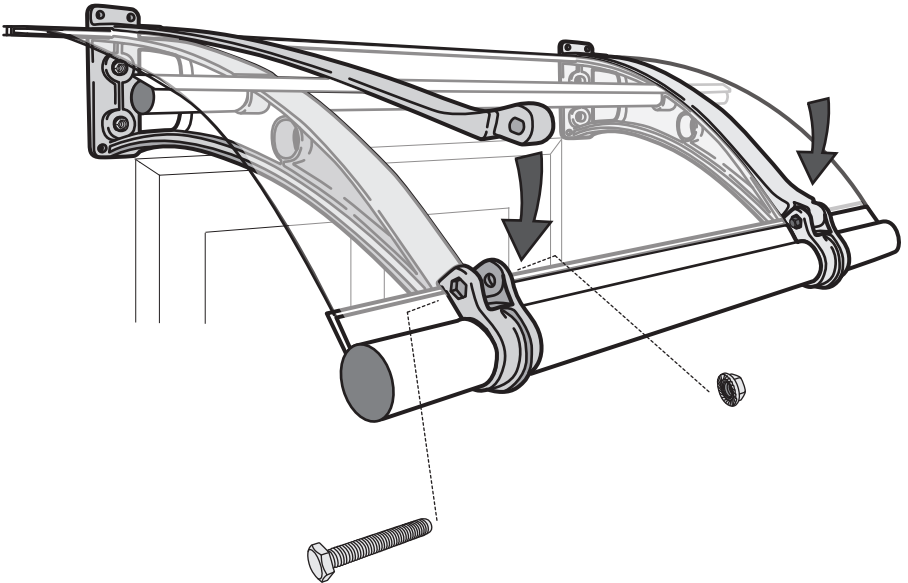
Use the following



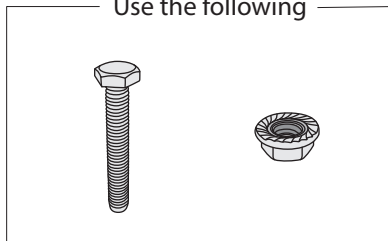


9 Close the brackets

⚠ Align the Polycarbonate sheet and bars **before** bolting brackets



Use the following

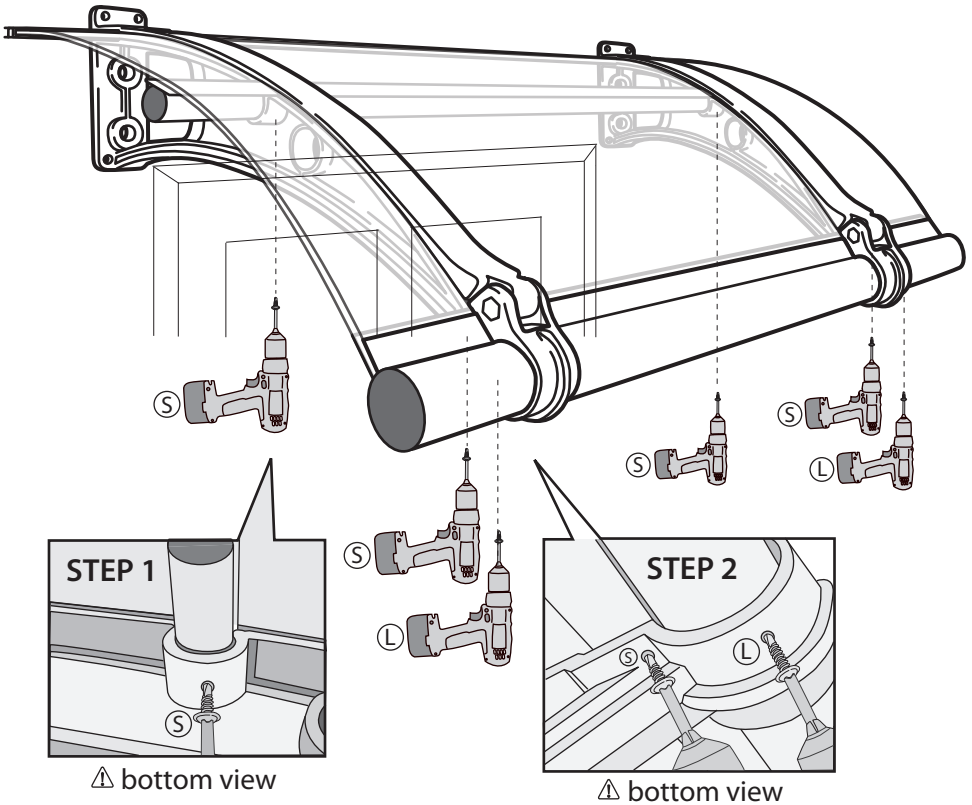


# 10 Bolt on Bracket to hold bars and Polycarbonate Sheet

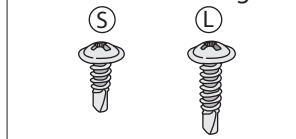
⚠️ Align the Polycarbonate sheet and bars **before** bolting on brackets

### Tip

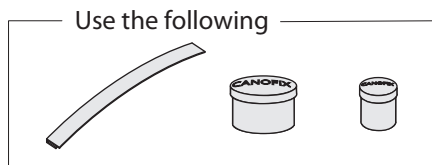
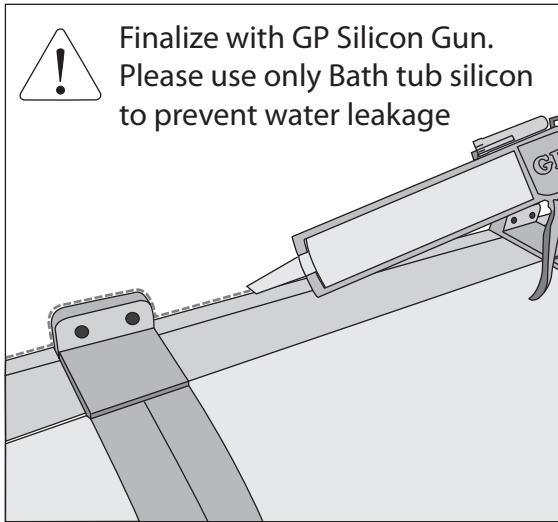
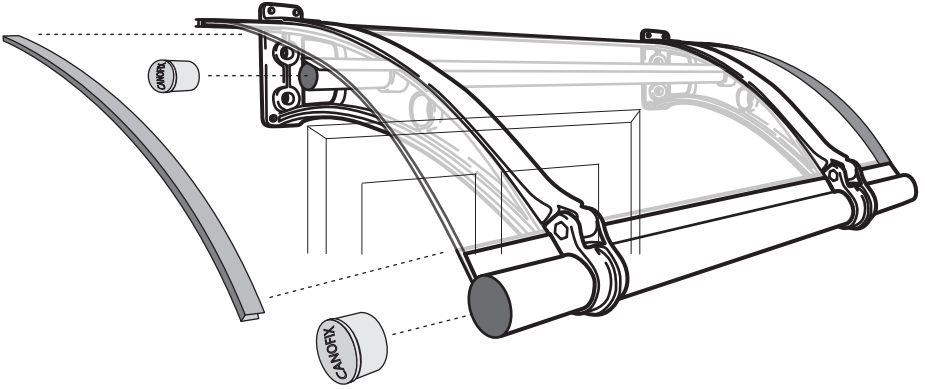
By using drill, use the screw directly on to the bracket to bolt.



Use the following



11 Insert edge covers to complete installation



## Official Distributor

[www.canofix.org](http://www.canofix.org)  
[www.canofix.com](http://www.canofix.com)  
[www.mrcan.org](http://www.mrcan.org)

[www.canofix.co.uk](http://www.canofix.co.uk)  
[www.canofix.ca](http://www.canofix.ca)  
[www.canofix.cn](http://www.canofix.cn)  
[www.canofix.jp](http://www.canofix.jp)  
[www.canofix.eu](http://www.canofix.eu)  
[www.canofix.ua](http://www.canofix.ua)

Korea Exterior Association  
Head Office(Korea Hot Fix Co.)  
Canofix Co.,Ltd

United Kingdom  
Canada  
China  
Japan  
Europe  
Ukraine

[www.canofix.my](http://www.canofix.my)  
[www.canofixksa.com](http://www.canofixksa.com)  
[www.canofixca.com](http://www.canofixca.com)  
[www.canofixny.com](http://www.canofixny.com)  
[www.canofixsa.com](http://www.canofixsa.com)  
[www.canofix-hk.com](http://www.canofix-hk.com)  
[www.canofixamerica.com](http://www.canofixamerica.com)  
[www.canofixmyanmar.com](http://www.canofixmyanmar.com)  
[www.canofixthailand.com](http://www.canofixthailand.com)  
[www.thinkdifferentventures.com](http://www.thinkdifferentventures.com)

Malaysia  
Saudi Arabia  
USA California  
USA New York  
USA New Jersey  
Hong Kong  
USA Texas  
Myanmar  
Thailand  
Nigeria

## Retail Store

[www.khmer24.com](http://www.khmer24.com)  
[www.skinnovationroof.com](http://www.skinnovationroof.com)  
[www.kogcanopy.com](http://www.kogcanopy.com)  
[www.canodaawing.com](http://www.canodaawing.com)  
[www.barrietentandawing.com](http://www.barrietentandawing.com)

Cambodia  
Dubai  
Canada  
Canada  
Canada

[www.cooksblinds.co.uk](http://www.cooksblinds.co.uk)  
[www.bricwoodtrading.co.uk](http://www.bricwoodtrading.co.uk)  
[www.eazzyweb.co.uk](http://www.eazzyweb.co.uk)  
[www.thaisecondhand.com](http://www.thaisecondhand.com)

United Kingdom  
United Kingdom  
United Kingdom  
Thailand

# CANOFIX®

address : 205 Jiyeongno, Ilsandong-gu, Goyang-si,  
Gyeonggi-do,Korea

email : khf6985@yahoo.co.kr  
phone : +82-31-977-0888~9

Publishing : Mr.Can

Publishing Resisteration : 2015-000013

Copyright © 2015 Mr. Can All right Reserved.

205 jiyeongno, Ilsandong-gu, Goyang-si, Gyeonggi-do,Korea